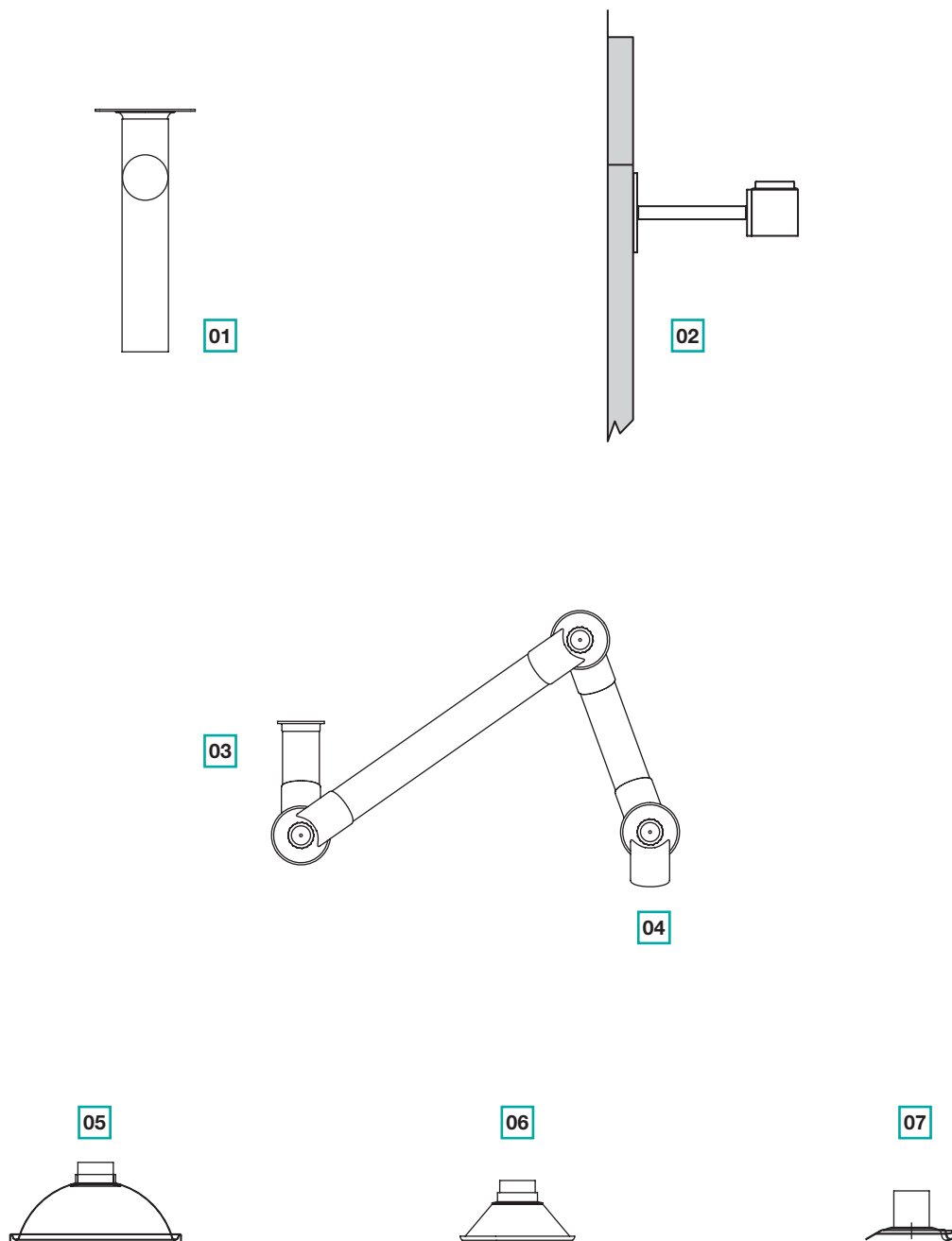


Fume cupboard systems | 1.18 Articulated arm flexible extractor



01 Ceiling mount in 250 mm increments, from 250 mm - 2000 mm, 360° swivel

02 Wall bracket for attachment to the system stand of the media system

03 Adjustable friction joints

04 With 3 polypropylene joints, tube made of thin, anodized aluminium NW75

05 Dome hood Ø 350 mm

06 Metal hood Ø 250 mm

07 Flat screen hood 300 mm x 195 mm