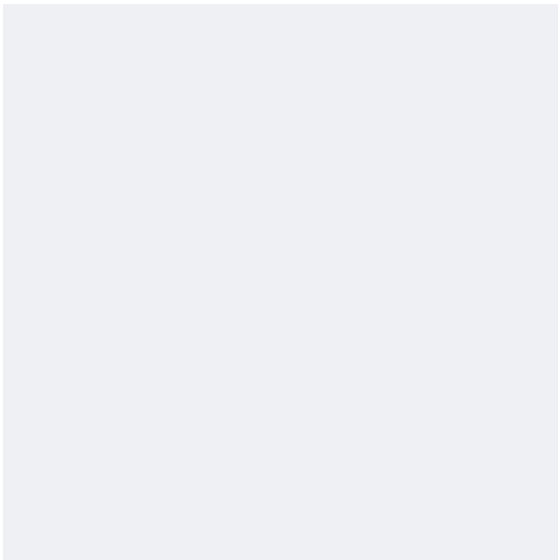


 LABOdacta  
Colour Concept

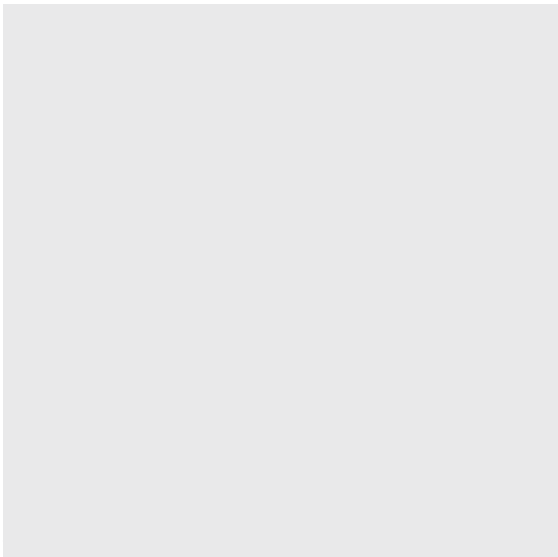
**01** Grey-white (similar RAL 000 90 00)



**02** Manganese grey (DB 703)



**03** Light grey (RAL 7035)

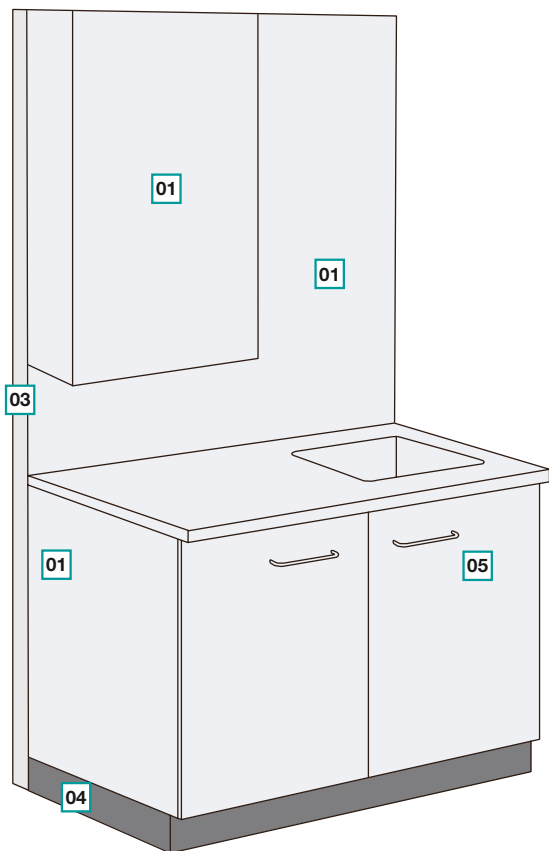


**04** Basalt grey (similar RAL 7012)

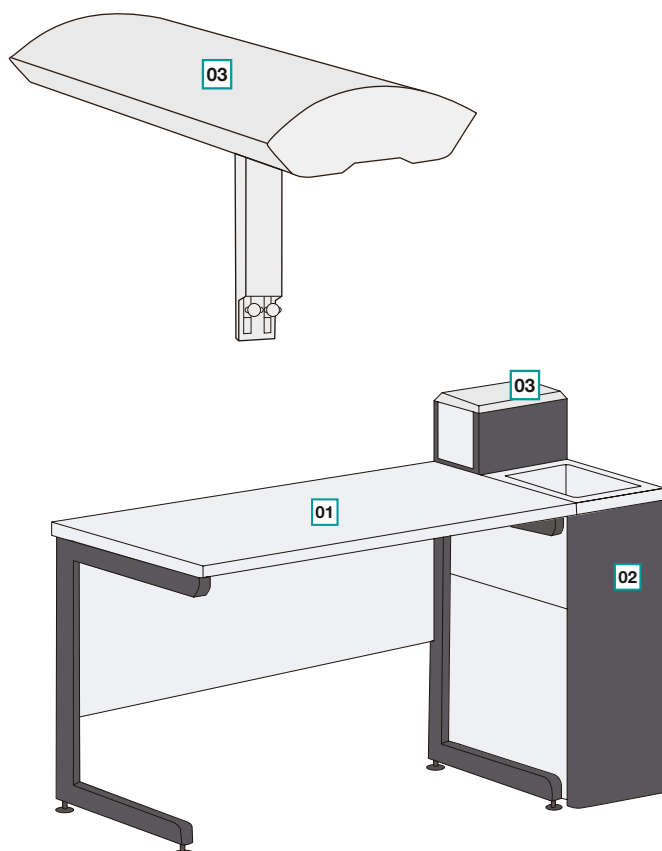


# LABOdacta Colour Concept

## Colour examples



System LABOdacta Supply / Service unit



System LABOdacta  
Student desk / Student's energy service column / Overhead supply

## Application

**01** Furniture surfaces and edges, melamine worktops and edges  
Grey-white (similar RAL 000 90 00)

**02** Student desk as C-frame and 4-legged frame, frame of mobile tables, frame of protective panels, frame of projector / PC station, projector trolley, television-video trolley, equipment rack, frame of window workbench, C-foot and 4-legged frame on wall workbench and double workbench, system ducts, table ducts, ducts of service terminal, ladder frames on cabinets, plastic caps on SAC, SEZ, SEN tables

Manganese grey (DB 703)

**03** Overhead system media rail, fume cupboard pilaster strips, fume cupboard window frames, system stands, reagent/book trays, plastic caps, covering of energy columns  
Light grey RAL 7035

**04** Furniture plinths  
Basalt grey (similar RAL 7012)

**05** Furniture handles  
Bow handles 192 mm, stainless steel