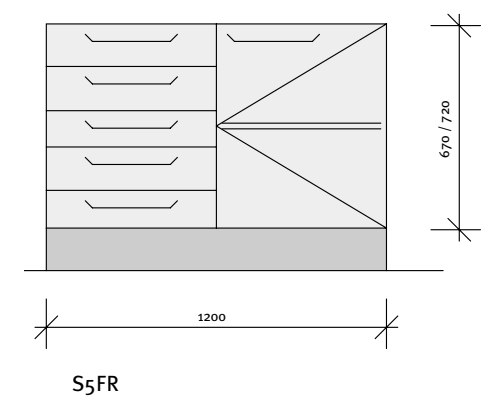
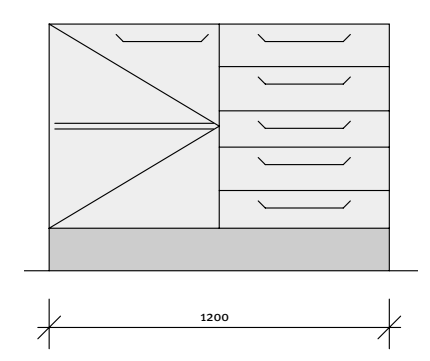
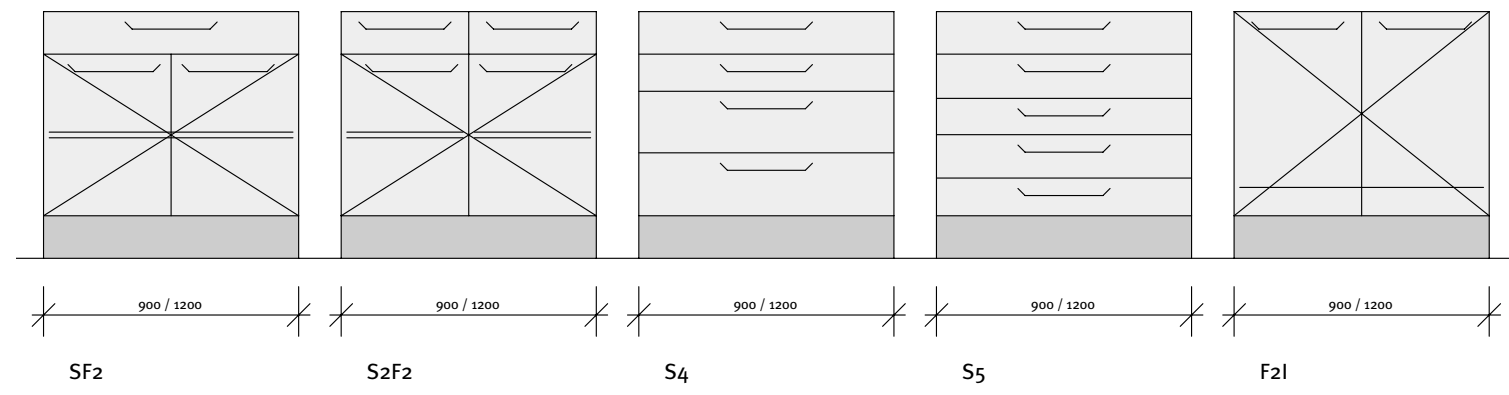
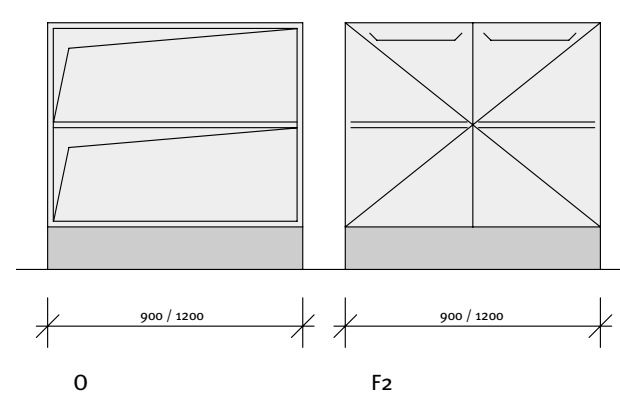
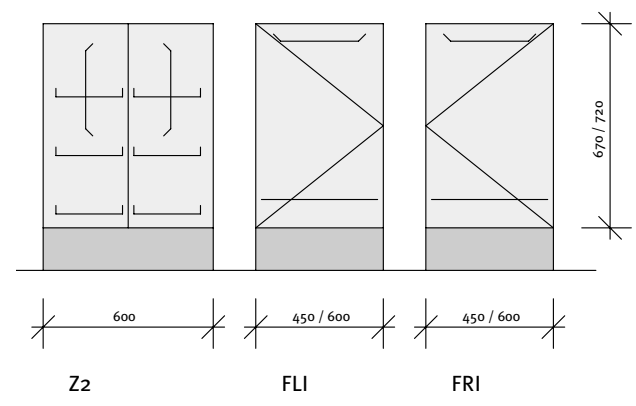
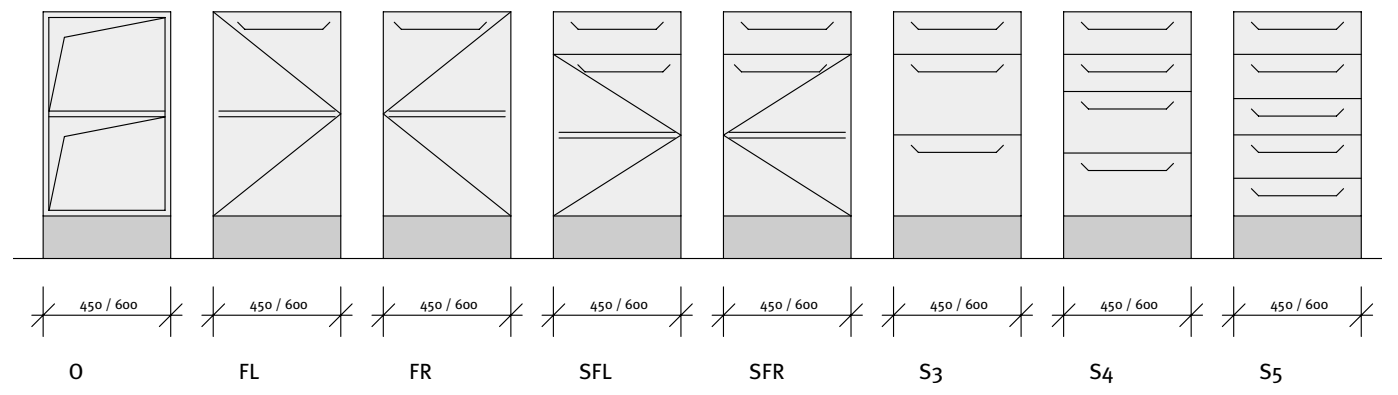


- O = Open
- FL = Door left
- FR = Door right
- SFL = Drawer, door left
- SFR = Drawer, door right
- A2 = 2 telescopic drawers
- S3 = 3 drawers
- S4 = 4 drawers
- SMH = Drawer, material drawer, file drawer with hangers
- FLI = Sink cabinet, door left
- FRI = Sink cabinet, door right
- F2 = 2 doors
- S2F2 = 2 drawers, 2 doors
- F2l = Sink cabinet, 2 doors
- Option: label holder for system pull



- O = Open
- FL = Door left
- FR = Door right
- SFL = Drawer, door left
- SFR = Drawer, door right
- S3 = 3 drawers
- S4 = 4 drawers
- S5 = 5 drawers
- Z2 = 2 cabinet drawers
- FLI = Sink cabinet, door left
- FRI = Sink cabinet, door right
- F2 = 2 doors
- SF2 = Drawer, 2 doors
- S2F2 = 2 drawers, 2 doors
- F2l = Sink cabinet, 2 doors
- S5FL = 5 drawers, door left
- S5FR = 5 drawers, door right
- Option: label holder for system pull